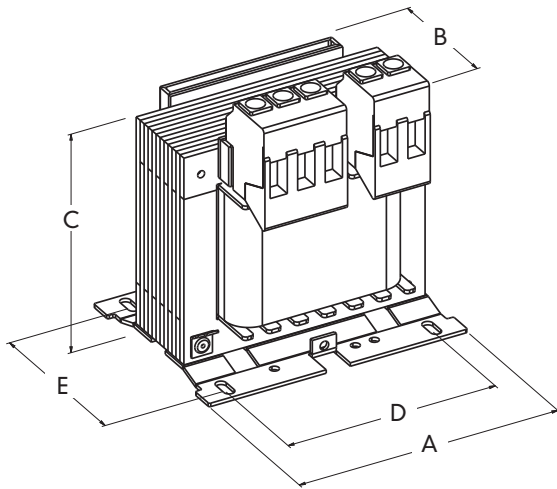


**T1C**



### General data

#### INPUT-OUTPUT IN ONE SIDE

Rated input voltage	230-400 V or others upon request
Rated output voltage	24 V/115 V or others upon request
Rated power	30-250 VA
Insulation class	class F
Temperature class	class F
Ambient temperature	Ta=40°C
Protection degree	IP 00
Test voltage	4,2 KV/1'
Terminals	terminal blocks

### Applications

Single-phase control, isolating and safety transformers designed combining **reliable performance and cost-effectiveness**. They are completely impregnated with resin and have faston or screw earth connection, 4 sqmm terminal blocks, input and output in the same side. Construction in accordance with the below standards:

### Standards

- CEI-EN 61558,2-4 – isolating transformers
- CEI-EN 61558,2-6 – safety transformers
- IEC 61558,2-4 and 2-6

### Technical data T1C

### Electrical data

CODE	RATED POWER VA	DIMENSIONS (mm)					WEIGHT Kg	LOSSES (W)		EFFICIENCY %	U <sub>cc</sub> %	ΔV %	INRUSH CURRENT x I <sub>n</sub>
		A	B	C	D	E		no-load	load				
T1C-30...	30	67	68	79	50	47	0,85	2	5	82	13,7	14	26
T1C-50...	50	76	77	89	56	40	1	2,5	8,5	82	13,8	14,1	26
T1C-75...	75	76	88	89	56	60	1,3	3	9	86,3	10,5	11	25
T1C-100...	100	85	89	98	64	60	1,7	4	12,5	86,4	10,8	11	25
T1C-150...	150	96	83	109	84	61	2,1	4	17	88	9,9	10	26
T1C-200...	200	96	98	109	84	76	2,7	5,6	20	88,7	9	9,1	24
T1C-250...	250	96	108	109	84	86	3,1	7	25,7	89,6	9,2	9,3	23