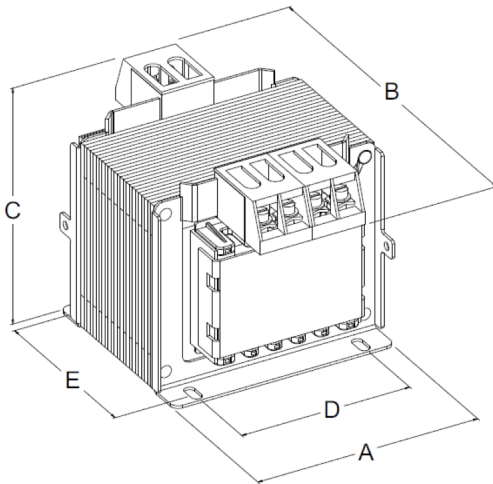


**T1IT**



**General data**

|                             |                                   |
|-----------------------------|-----------------------------------|
| <b>Rated input voltage</b>  | 230-400 V or others upon request  |
| <b>Rated output voltage</b> | 24 V/115 V or others upon request |
| <b>Rated power</b>          | 30-2000 VA                        |
| <b>Insulation class</b>     | class F                           |
| <b>Temperature class</b>    | class F                           |
| <b>Ambient temperature</b>  | Ta=40°C                           |
| <b>Protection degree</b>    | IP 00                             |
| <b>Test voltage</b>         | 4,2 KV/1'                         |
| <b>Terminals</b>            | terminal blocks                   |

**Applications**

Single-phase control, isolating and safety transformers designed combining **reliable performance and cost-effectiveness**. They are completely impregnated with resin and input and output in two sides or in the same side. Construction in accordance with the below standards:

**Standards**

- CEI-EN 61558,2-4 – isolating transformers
- CEI-EN 61558,2-6 – safety transformers
- IEC 61558,2-4 and 2-6

**Technical data T1IT**

**Electrical data**

| CODE               | RATED POWER<br>VA | DIMENSIONS (mm) |     |     |     |     | WEIGHT<br>Kg | LOSSES (W) |      | EFFICIENCY<br>% | Ucc<br>% | ΔV<br>% |
|--------------------|-------------------|-----------------|-----|-----|-----|-----|--------------|------------|------|-----------------|----------|---------|
|                    |                   | A               | B   | C   | D   | E   |              | no-load    | load |                 |          |         |
| <b>T1IT-30...</b>  | 30                | 77              | 69  | 77  | 56  | 39  | 1            | 2,1        | 5,8  | 76,5            | 15       | 15      |
| <b>T1IT-40...</b>  | 40                | 77              | 69  | 77  | 56  | 39  | 1            | 2,2        | 6,9  | 78              | 15,5     | 15,5    |
| <b>T1IT-50...</b>  | 50                | 77              | 74  | 77  | 56  | 44  | 1,1          | 2,78       | 9,5  | 81              | 15,65    | 16      |
| <b>T1IT-75...</b>  | 75                | 77              | 89  | 77  | 56  | 59  | 1,3          | 3,9        | 11   | 83,8            | 12,4     | 12,7    |
| <b>T1IT-100...</b> | 100               | 85              | 88  | 84  | 70  | 61  | 1,7          | 4,7        | 13,7 | 84,6            | 11,8     | 12,1    |
| <b>T1IT-150...</b> | 150               | 98              | 94  | 94  | 80  | 64  | 2,1          | 5,8        | 17,9 | 86,5            | 10,5     | 10,7    |
| <b>T1IT-200...</b> | 200               | 98              | 104 | 94  | 80  | 80  | 3            | 7          | 22,8 | 87,1            | 10,2     | 10,3    |
| <b>T1IT-250...</b> | 250               | 98              | 114 | 94  | 80  | 84  | 3,5          | 8,4        | 28,3 | 87,3            | 10       | 10,2    |
| <b>T1IT-300...</b> | 300               | 108             | 112 | 94  | 84  | 83  | 4            | 9,8        | 31   | 88,4            | 9,2      | 9,3     |
| <b>T1IT-400...</b> | 400               | 122             | 110 | 110 | 100 | 85  | 4,8          | 9,4        | 34   | 90,3            | 7,9      | 7,9     |
| <b>T1IT-500...</b> | 500               | 122             | 125 | 110 | 100 | 100 | 6            | 11         | 34,1 | 92              | 6,4      | 6,5     |